

Oil level sight glasses

Aluminium / Perspex / without thread

SPECIFICATION

Types

- Type **A**: without oil level mark
- Type **B**: with oil level mark

Ring nut

Aluminium

Sight glass

Perspex (PMMA)

temperature resistant up to 80 °C

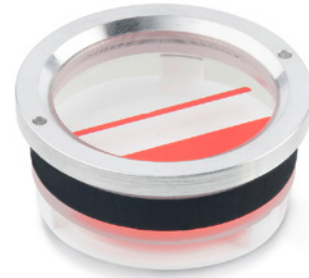
Sealing ring

Rubber NBR (Perbunan)

Contrast screen

Plastic

white, with red oil level marks



INFORMATION

This oil level glass GN 537 does not require a thread.

The oil level sight glass is inserted into the bore d_2 to H11. By simply tightening the ring nut using the pin key the seal is pressed against the contact surface which, at the same time, will hold the sight glass in position. For removal reverse the procedure.

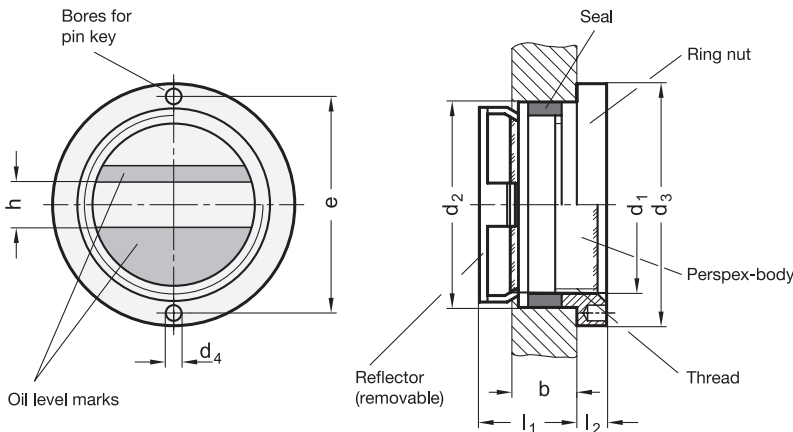
Their application is limited to non-pressurised or only slightly pressurised tanks.

ACCESSORY

- Pin key for installation GN 537.1 (Code no. see table)

TECHNICAL INFORMATION

- Elastomer characteristics (see page A32)



GN 537

Description	d1 Window glass	d2 Bore Ø	b min.	d3	d4	e ±0.1	h	l1	l2	Code no. pin key for installation	⚖
GN 537-16-20-A	16	20	9	25	2.2	21	5	15	3.5	GN 537.1-21	8
GN 537-22-28-A	22	28	10	35	3	30	6	15	4.5	GN 537.1-30	17
GN 537-32-38-A	32	38	12	45	3	40	8	18	5.5	GN 537.1-40	34
GN 537-50-58-A	50	58	14	64	3	58.5	10	22	5.5	GN 537.1-58.5	80
GN 537-16-20-B	16	20	9	25	2.2	21	5	15	3.5	GN 537.1-21	8
GN 537-22-28-B	22	28	10	35	3	30	6	15	4.5	GN 537.1-30	17
GN 537-32-38-B	32	38	12	45	3	40	8	18	5.5	GN 537.1-40	30
GN 537-50-58-B	50	58	14	64	3	58.5	10	22	5.5	GN 537.1-58.5	80

